

# **PW800™ Pallet Truck Scales**

Cost-Effective Solution to Weigh and Transport Goods



Made in U.S.A.

## ***Weigh & Count Inventories with Economical Means to Transport Goods in Tight Spaces***

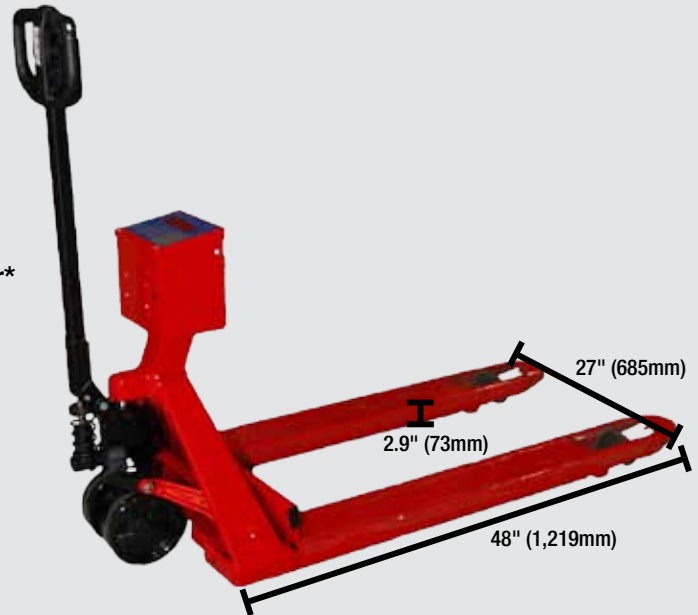
The PW800™ is the preferred choice for Pallet Truck Scales because it integrates load cells within the existing forks. These load cells offer the industry's highest standard capacity at 5,000 x 1lb (2,500 x 0.5kg), with an accuracy of  $\pm 0.1\%$ , combined with the lowest profile forks at 2.9" (74mm).

The scale runs on nine D-Sized Alkaline or NiCad rechargeable batteries for up to 75 hours. The 0.8" (20mm) LED display and membrane keypad provide increased visibility and functions for gross/net/tare and parts counting. All electronics are shock mounted and contained in a rugged and durable enclosure.

**Intercomp®**  
advanced weighing technology . . . by any measure

## PW800™ Pallet Truck Scales

- 5,000lb (2,500kg) Capacity
- Accuracy of  $\pm 0.1\%$  of Reading
- Large, Easy-to-Read, 0.8" LED Display
- Lowest Profile Forks at 2.9" (73mm) & 48" (1,219mm) Overall Stance
- Rechargeable D-Cell Batteries Last up to 75 Hours
- Made in the U.S.A.
- Can be Interfaced with Customer-Supplied Indicator\*
- FM Approved Load Cells



Easy-to-Use, push-button indicator offers Zero, Tare, Net/Gross, Unit (lb/kg Conversion), Total Weight, Peak Hold & Set Points at the touch of a button!

## Options & Accessories

DESCRIPTION
Battery Operated Tape Printer (MUST be ordered with Scale)
RS232 Serial Data Output (Required if Printer is Ordered)
Steel Wheels - Two Front Rollers & Rear Wheel (MUST be ordered with Scale)
Battery - 1 x 3 D-Size (NiCad)
Battery - 3 x 3 D-Size (NiCad)
Charger - 120/220v - Includes: D-Size Batteries, Circuit & Harness (NiCad)
Charger - External 120/220v for 3 x 3 D-Size Battery Stick (NiCad/NiMH)

\*Contact Intercomp for a list of approved indicators and part numbers.

info@intercompcompany.com

Worldwide: +1 763-476-2531

Toll Free: 800-328-3336



intercompcompany.com

Specifications subject to change without notice.

CE ISO 9001:2008  
Registered



Printed in the U.S.A.

700688